



ZN-DNT352XE-MIR

The performance features at a glance

- GXi: Integrated Videoanalytics
- 3.0mm - 9mm lens
- H.264 & MJPEG compression
- Mechanical Day-/Nightswitching
- Remote zoom & focus
- Integrated IR-LEDs (-MIR version)
- IP66



High versatility

Compact robustness combined with technical skill: The ZN-DNT352XE-M(IR) IP-Dome with H.264 compression is suitable at best for outdoor use. With its integrated IR-LEDs (-MIR) in combination with the mechanical day / night switching, it provides the best conditions for the monitoring in the dark.

Outstanding advantages

The H.264 compression (in addition MJPEG) provides a very low network load. Moreover, this dome has an audio input and output. As compression method used in this context is G.711.

In the highest resolution the ZN-DNT352XE-M(IR) provides 25 frames per second.

High-performance technology

The high quality 3.0 mm - 9 mm lens covers a multitude of uses. In addition to support for example for the protection of individual images SD cards.

Other special features

Already integrated are various analysis functions. More are installable optionally. For example, a powerful picture stabilisation can be useful as well as tailgating control, countingfunctions, tampering and many more.

Order data

Order number	Product description
ZN-DNT352XE-M ZN-DNT352XE-MIR (incl. IR-LEDs)	H.264 2 Megapixel, mech. day/night dome camera, 1/2.7"- CMOS, focal length 3.0mm - 9.0mm, focus and zoom adjustable per remote, effective resolution 1920x1080 (configurable), Videoanalysis integrated (further functions optional)

IP-Dome ZN-DNT352XE-M(IR)



Advantages for the installer

In addition to PoE, 12VDC are supported. The comprehensive and well thought out configuration menu lets you quickly set up and optimally configure these domes.

Technical specifications	ZN-DNT352XE-M	ZN-DNT352XE-MIR
Image sensor	1/2.7" 1080p CMOS	
Compression format	H.264, MJPEG	
Max. resolution	1920 x 1080	
Resolution options	1920 x 1080, 1280 x 720, 800 x 450, 480 x 270, 320 x 180	
Effective pixel	1920 x 1080	
Video framerate	Up to 25fps	
Lens	3,0mm - 9mm F1.2 Motorized zoom & focus	
Iris control	DC	
Smart Edge enhance	Yes (Auto adjust sharpness by lux)	
Video out	BNC (for installation)	
Alarmin/-output	1 / 1	
Audioin/-output	1 / 1	
Audio codec	G.711	
Day/night switching	Mechanical	
Minimum illumination	0.5 lux (color), 0.001 lux(Sens-up 32X s/w)	0.5 lux (color), 0 lux (IR LED ON s/w)
IR	-	36 IR LEDs, indoor: 25m outdoor 15m range
Fan / Heater	Yes / Yes	
Protection class	IP66	
Network connection	10 / 100 Base-T	
Protocols	TCP/IP, UDP/IP, HTTP, RTSP, RTCP, RTP/UDP, RTP/TCP, SNMP, mDNS, UPnP, SMTP, IGMP, DHCP, DDNS, SSL v2/v3, IEEE802.1X, SSH, SNMP v2/v3	
SD-card	Yes (option)	
Motion detection	Yes	
Operating voltage	12VDC	
PoE	Yes (IEEE 802.3af)	
Power consumption	5.28W (with heater: 22.8W)	1,410mA 12VDC (heater & IR LED on)
Operating environment	12VDC: -40°C ~ 50°C PoE: 0°C - 50°C	
Housing material	Aluminium	
Weight	1,2kg	

Video Content Analysis included:

- Advanced Tracking Algorithmus
- Detection Zones
- Real-time Display of Tracking Data and Events
- Auto-tracking

Video Content Analysis optional, eg:

- Detection of: Direction, Stopping, Enter/Exit, Tailgating, Loitering, Objectwatch
- Perspective Corrected Size and Speed Filters
- Counting Functions and Other Statistics
- Plain XML Format

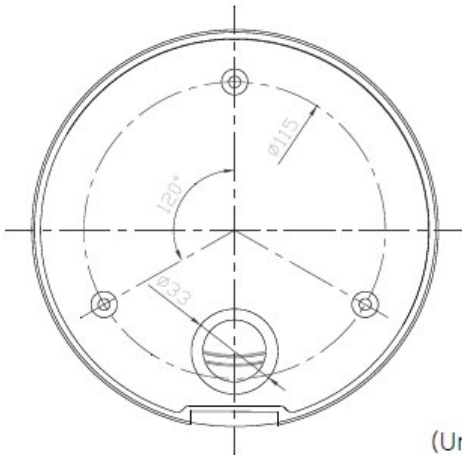
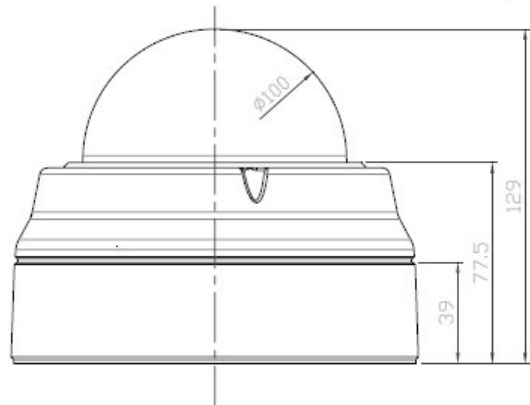
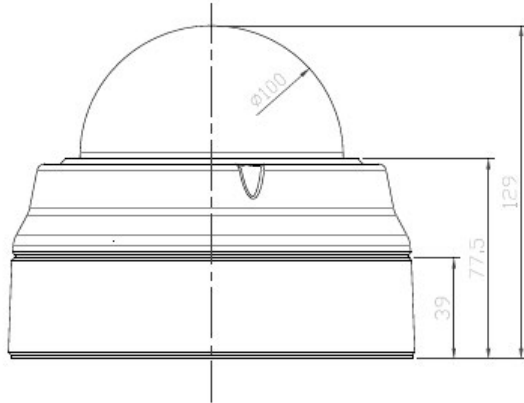
IP-Dome ZN-DNT352XE-M(IR)



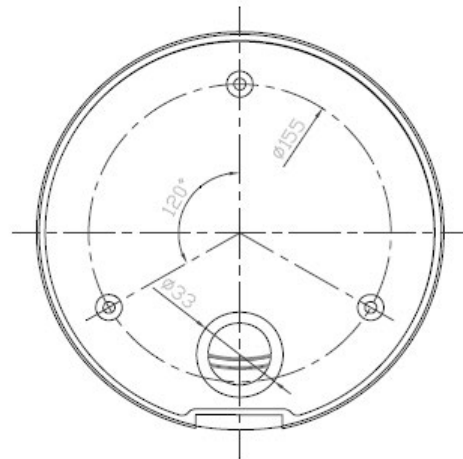
ZN-DNT352XE-M

ZN-DNT352XE-MIR

(Unit: mm)

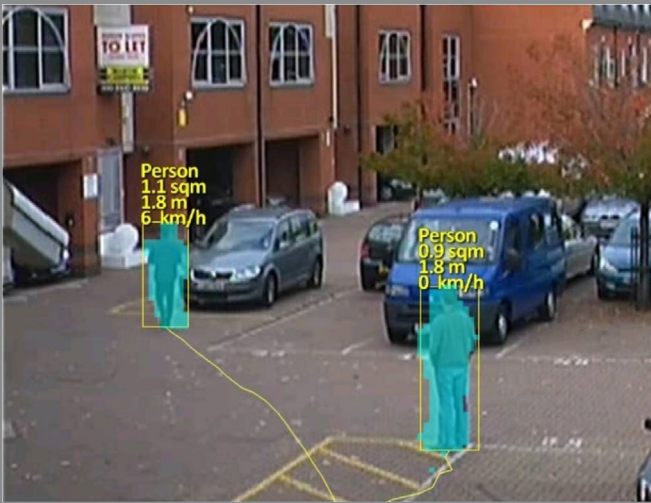


(Unit: mm)



Intelligent algorithm:

- Tracking objects ✓
- Counting (vehicles, people) ✓
- Loitering detection ✓
- Video stabilization ✓
- Classification ✓
- Object watch ✓
- Tamper detection ✓
- Auto-tracking (PTZ-Domes) ✓



VCA - A brief description

Video Content Analysis is an active component which can analyse the content of the liveimage. It goes far beyond a simple motion detection. Our VCA has a complex algorithm which is capable of performing several tasks like counting or tracking.

VCA - Where and why?

There are many applications where VCA comes into play. Think of counting vehicles which use a specific road. Think of a store whose owner wants to know the number of visitors. Think of detecting objects removed or put into place. Many more situations make our powerful VCA useful. Trust VCA and let it do the job it's made for.

VCA - Complicated and expensive?

The intelligent algorithm, an user friendly setup via browser and helpful tools support you during the setup. Several analytics are already included as a standard like intruder and perimeter detection, camera shake cancellation and camera temper detection.

Optional are more analytics available as mentioned on top, like loitering detection.

Many sample videos of GXi technology in use are available on our [Youtube channel](#).

